

A

A

B

B

C

C

D

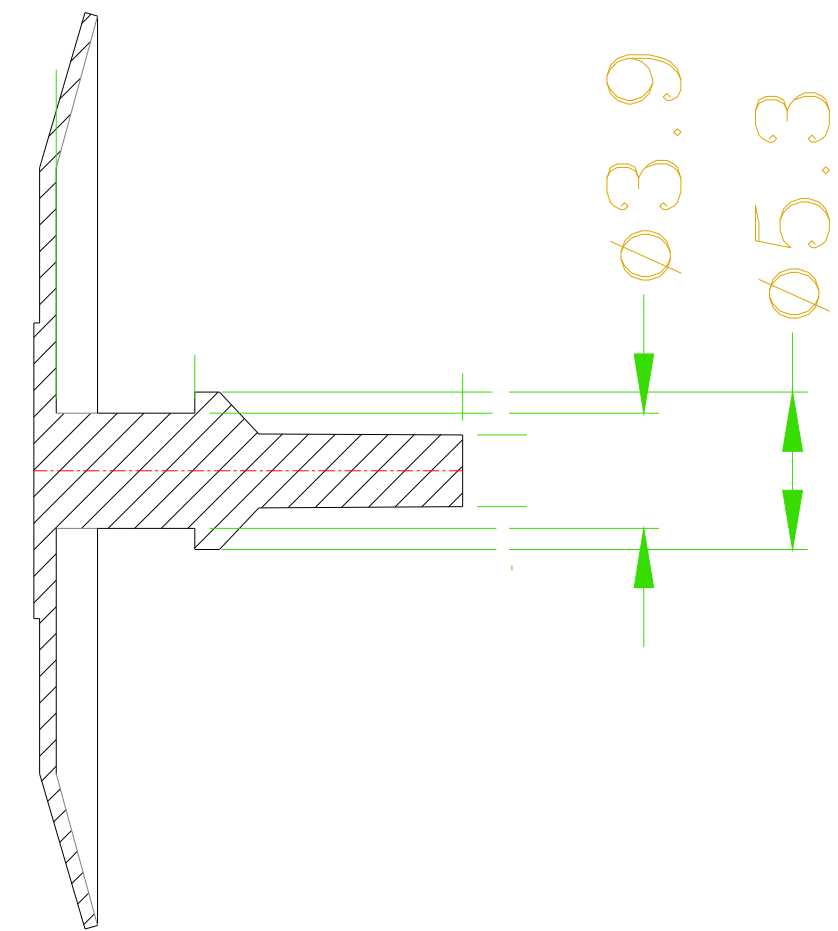
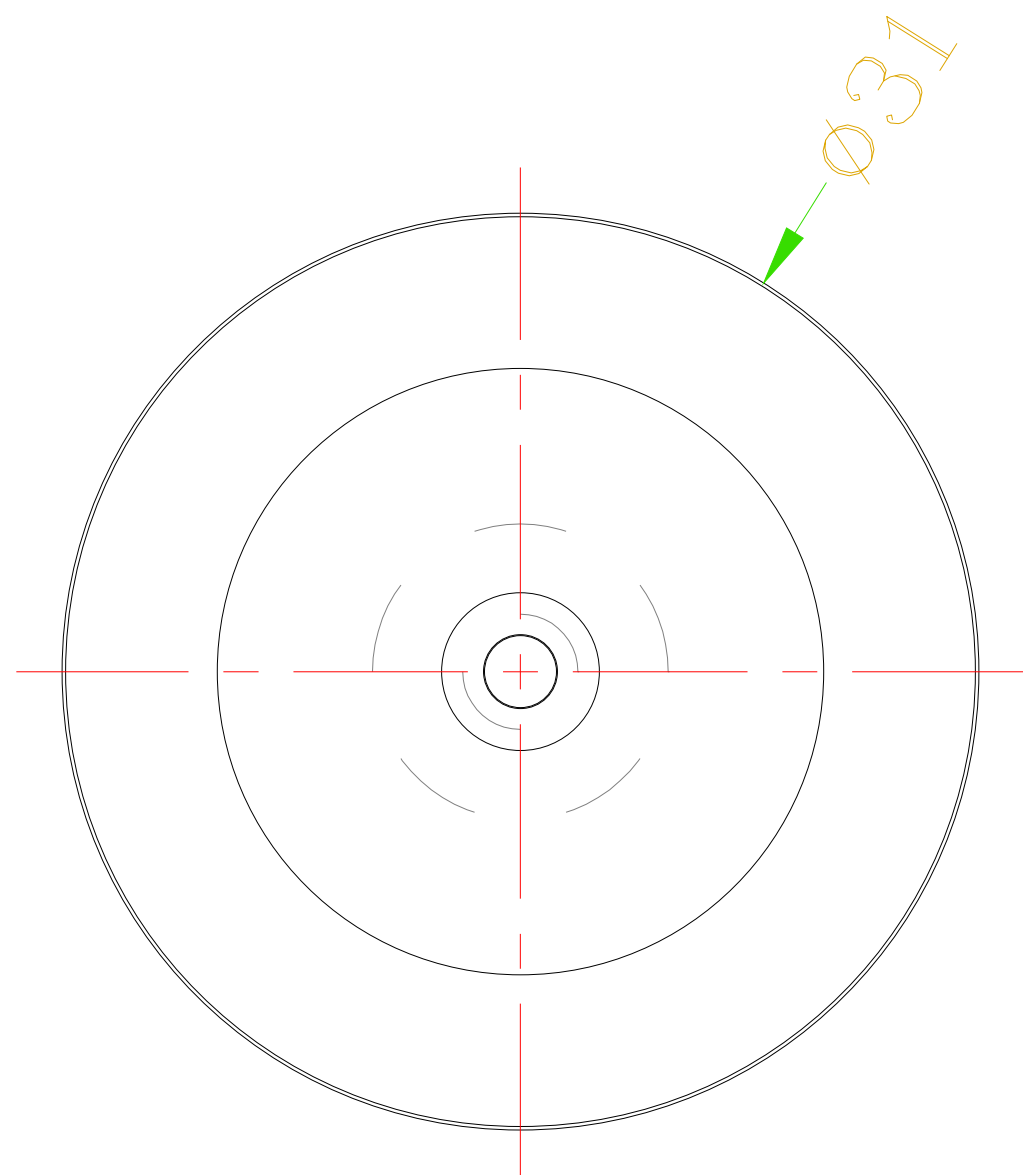
D

E

E

F

F



<b>TITLE:</b>	<b>Umbrella Valve</b>		
Diameter:	31MM DIAMETER	MAT'L	FDA Grade Silicone
FINISH	F1; No Tool Marks		
SCALE	1: 1	DRW.BY	HUANG
DATE	9/19/2018	DRW. NO	S206
<b>厦门贝腾硅橡胶制品有限公司</b>			
<b>WEB:</b>	<b>www.xiamenbetter.com</b>		

